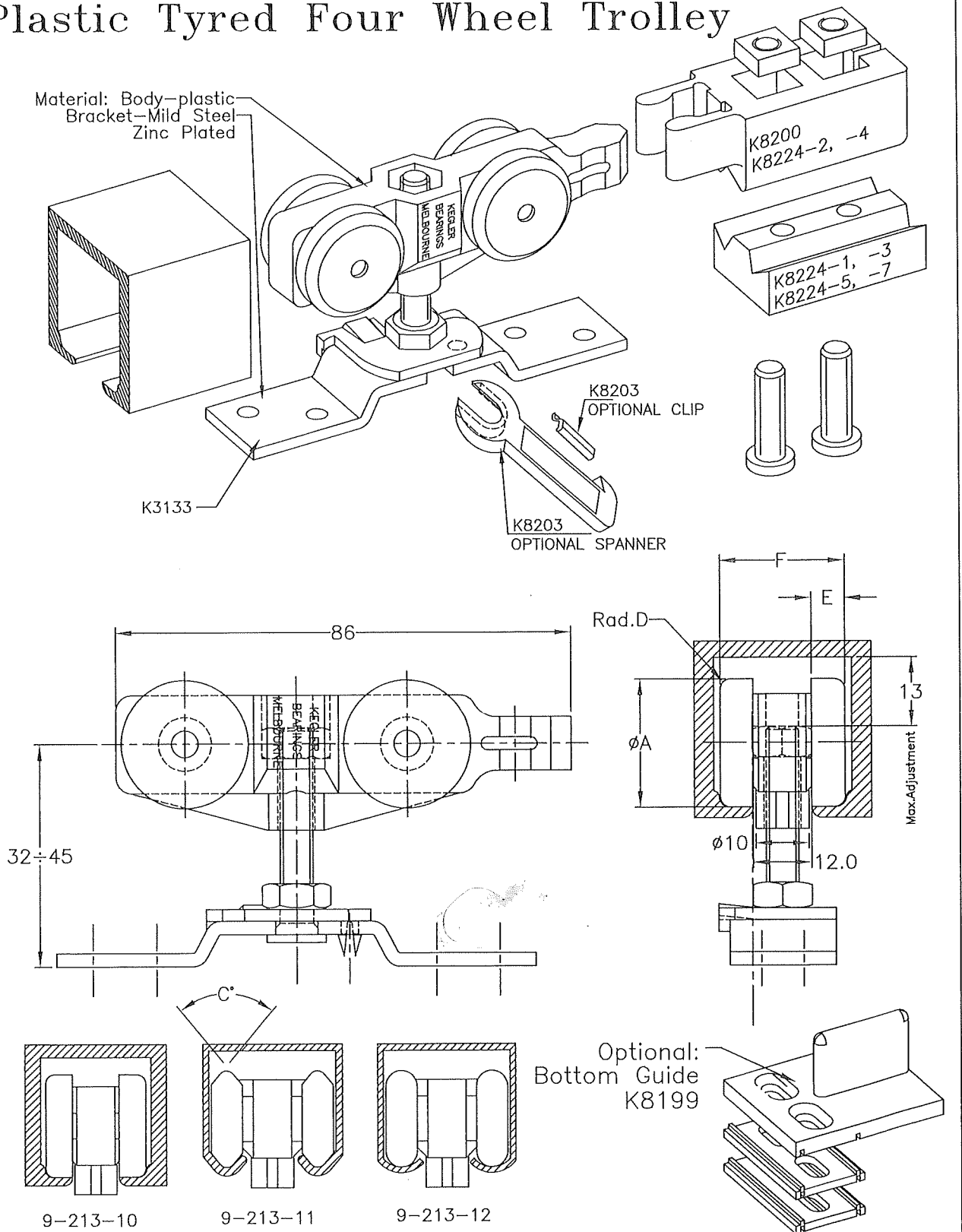


9-213

Plastic Tyred Four Wheel Trolley

Material: Body—plastic
Bracket—Mild Steel
Zinc Plated



9-213-13	5140-220 Plastic Tyred Ball Bearing	32.0	22.6	—	80°	2.0	7.4	27.8	
9-213-12	5140-201 Plastic Tyred Ball Bearing	32.0	18.5	—	—	3.0	5.5	24.3	
9-213-11	5140-220 Plastic Tyred Ball Bearing	32.0	22.6	—	80°	2.0	7.4	28.8	
9-213-10	K2095 Plastic Wheel, Needle Bearing	60.0	24.0	—	—	2.0	5.5	23.5	
PART NO.	WHEEL NO. & DESCRIPTION	LD./KG.	A	B	C	D	E	F	REMARKS



KARMAC INDUSTRIES(AUST.)PTY.LTD.

A.C.N. 006 797 913

267-269 BOUNDARY RD. P.O. BOX 313 MORDIALLOC 3195 AUSTRALIA
TEL: (61 3)9580 8444, 9580 8188 FAX:(61 3)9580 8548